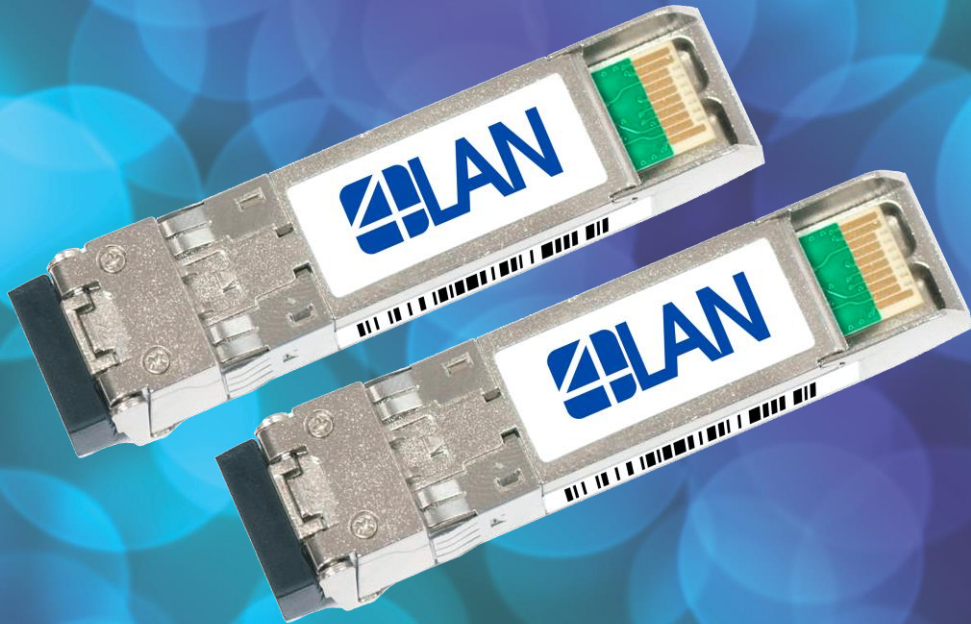


# 4L-SFB2823-20 & 4L-SFB2832-20

SFP28 25GBASE-BX, 1270/1330nm, SM, DDM, LC Simplex, 20km



## Applications

- Compliant with IEEE 802.3ae 25GBASE-LR and 25GBASE-LW
- Supports up to 25.78Gb/s data rates
- Other optical links
- CPRI & eCPRI

## Features

- SFP28 25G Bidirectional Optical Transceiver
- SFP28 MSA SFF-8472 Compliant
- Up to 20km links on SMF
- DFB laser transmitter
- Digital Diagnostic Monitoring
- RoHS and Lead Free
- Operating temperature: 0°C ~ +70°C
- **4L-SFB2823-20**
  - TX1270nm/RX1330nm
- **4L-SFB2832-20**
  - TX 1330 / RX1270nm

## Description

The 4L-SFB2823-xx and 4L-SFB2832-xx are single mode SFP transceivers for simplex optical data communications such as 25GBASE-LR/LW defined by IEEE 802.3ae.

This modules are designed to operate with single mode fiber (SMF) and LC connectors using only one fiber at the wavelength 1270nm and 1330nm for Tx and Rx (the wavelengths alternate on each side).

Quick access to other products:

[SFP 1G](#) [SFP+10G](#) [XFP 10G](#) [QSFP+40G](#) [SFP28 25G](#) [QSFP28 100G](#) [DWDM](#)

[www.4-lan.com](http://www.4-lan.com)

## General Specifications – Absolute Maximum Ratings

Parameter	Symbol	Min	Recommended	Max
Max. Link Length	$l_{max}$			20km
Optical Budget	dB	13dB		
Storage Temperature	$T_c$	-40°C		+85°C
Operating Case Temperature	$T_c$	0°C		+70°C
Supply Voltage	$V_{cc}$	-0.5V	3.3V	3.6V

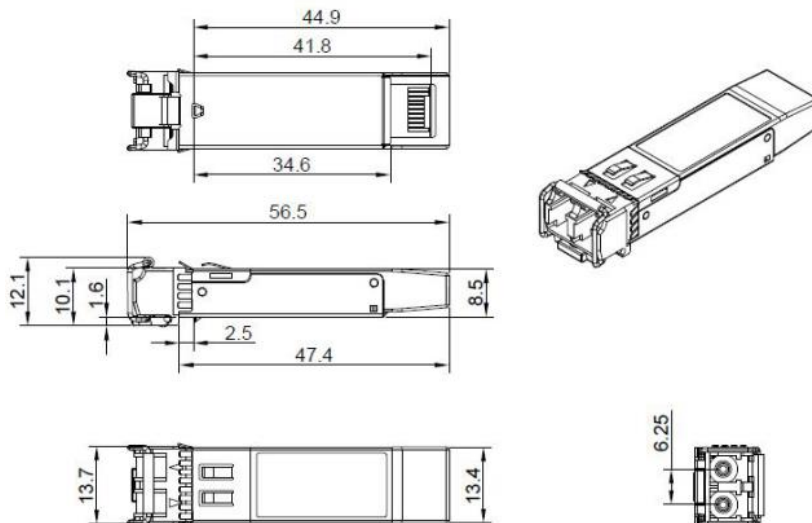
## Optical Specifications

Transmitter				
Parameter	Symbol	Min	Recommended	Max
Average Output Power	$P_{out}$	0dBm		+6dBm
Central Wavelength - Side A	nm	1260nm	1270nm	1280nm
Central Wavelength - Side B	$\lambda_m$	1320nm	1330nm	1340nm
Receiver				
Parameter	Symbol	Min	Recommended	Max
Receiver Sensitivity	$R_{sen}$	-13.3dBm		
Receiver Overload (Damage)	$P_{max}$			+2dBm
Central Wavelength – Side A	$\lambda_m$	1320	1330	1340
Central Wavelength – Side B	$\lambda_m$	1260	1270	1280

## Electrical Specifications

Parameter	Symbol	Min.	Typical	Max	Unit	Ref.
Supply Voltage	$V_{CC}$	3.00		3.60	V	1
Supply Current	$I_{CC}$		200	300	mA	1
<b>Transmitter</b>						
Input differential impedance	$R_{in}$		100		$\Omega$	2
Single ended data input swing	$V_{in,pp}$	150		1200	mVpp	
Transmit Disable Voltage	$V_D$	2		$V_{CC}$	V	
Transmit Enable Voltage	$V_{EN}$	Vee		Vee+0.8	V	3
<b>Receiver</b>						
Output differential impedance	$R_{out}$		100		$\Omega$	2
Single ended data output swing	$V_{out,pp}$	300		700	mV	4
LOS Fault	$V_{LOS\ fault}$	2		$V_{CC\ HOST}$	V	5
LOS Normal	$V_{LOS\ norm}$	Vee		Vee+0.8	V	5

## Mechanical Specifications



Quick access to other products:

[SFP 1G](#) [SFP+10G](#) [XFP 10G](#) [QSFP+40G](#) [SFP28 25G](#) [QSFP28 100G](#) [DWDM](#)

[www.4-lan.com](http://www.4-lan.com)

## Ordering Information

Part Number	Description
4L-SFB2823-10 4L-SFB2832-10	SFP28 25BASE-BX, Tx1270/Rx1330nm, SM, DDM, LC Simplex, 10km SFP28 25BASE-BX, Tx1330/Rx1270nm, SM, DDM, LC Simplex, 10km
4L-SFB2823-20 4L-SFB2832-20	SFP28 25BASE-BX, Tx1270/Rx1330nm, SM, DDM, LC Simplex, 20km SFP28 25BASE-BX, Tx1330/Rx1270nm, SM, DDM, LC Simplex, 20km
4L-SFB2823-30 4L-SFB2832-30	SFP28 25BASE-BX, Tx1270/Rx1330nm, SM, DDM, LC Simplex, 30km SFP28 25BASE-BX, Tx1330/Rx1270nm, SM, DDM, LC Simplex, 30km
4L-SFB2823-40 4L-SFB2832-40	SFP28 25BASE-BX, Tx1270/Rx1330nm, SM, DDM, LC Simplex, 40km SFP28 25BASE-BX, Tx1330/Rx1270nm, SM, DDM, LC Simplex, 40km

### Note

1. This modules have been tested by 4LAN on equipment like Cisco, Juniper, Dell, HP, Mikrotik, Huawei, and other brands. The equipment brand must be informed before shipping the order, so the transceivers are reprogrammed to the corresponding brand.
2. 4LAN reserves the right to change prices, information and technical specifications of products according to the availability of components on the market and as deemed appropriate, without prior notice.

### Contact Information

Website: [www.4-lan.com](http://www.4-lan.com)

Email: [contato@brazilmkt.com.br](mailto:contato@brazilmkt.com.br)

Telephone: +55 11 5521-2522